

DDSY523 Electronic Single-phase Meter With A Function Of Advance Payment

Application

The series model DDSY523 single-phase watt-hours meter, adopting micro-electric technology, is to meter single-phase active electric power. As latest electronic pre-paid product, it's technology index complies with JB/T8382-1996, a China nation standard, and IEC1036, suitable to use in the meter box indoor or outdoor. The allowable ambient temperature is -10℃ ~ +50℃ and the relative humidity no more than 85%.

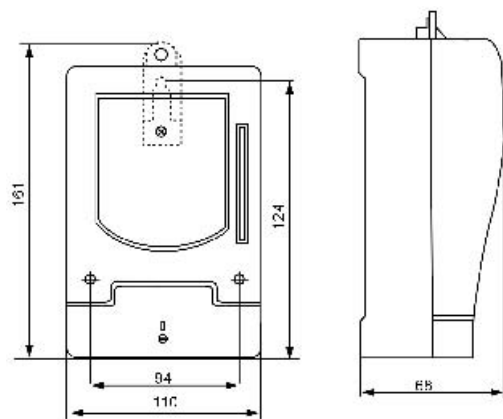
Structure feature

It is of full-shield and full-sealing structure. The advanced single-chip micro processor is in charge of collection of data, procession and preservation with four-position LED display. The computer management can assure that the customer must purchase before consumption and limit maximum power consumption within rated current (limited by power department). Each meter responds to a card whose loss won't affect the electric consumption on condition of remaking a new one. The card can realize dual-direction data transmission and automatically cut off to alarm the customer to purchase again. Once the electric consumption available is out, the automatic cut-off will be available. Inside it is soft that is used to prevent electric power theft. It features excellent anti-electromagnet disturbance, low power consumption, high accuracy immune to regular adjustment, anti-electric power theft, high overload and long life.

Specification and main technical data

Type	Reference voltage(V)	Basic current Ib(A)	Reference frequency(Hz)	Accuracy (class)	Starting current(%Ib)
DDSY523	220~240	5(20), 5(30), 10(40), 10(60), 15(60), 15(100), 20(80), 30(100)	50~60	1.0~2.0	0.4

Outer and mount dimension



Wiring diagram

